

**ABC-YGIG**  
EXHAUST-/OUTDOOR AIR LOUVRE



**USE**

ABC-YGIG is a ventilation louvre for exhaust- /outdoor air.

**WATER SEPARATION**

ABC-YGIG is tested according to standard EN 13030:2001. Water separation class C is obtained at speeds 2,5 m/s over free area.

**DESIGN**

Mounting frame with removable louvre insert and a wire mesh. The louvre blades are designed with a drip channel at the front edge to divert water to the sides to minimize rainwater in the airflow. Manufactured in patented color-coated steel and also available in other materials.

**SIZE**

Size 200x200 - 2000x2000 mm.  
BxH can be combined optionally.

**ACCESSORIES**

- Mounting plates
- Insect-proof wire mesh
- Hinge
- Electrical defrosting

The sound power level is reduced by the distance from the louvre, according to the following table:

Distance in meters	1	2	4	6	8	10
Reduction of the sound power level in dB	3	9	15	18	21	24

NOTE: Sound attenuation is calculated using a theoretical formula for attenuation of sounds generated from a flat surface (outdoors).

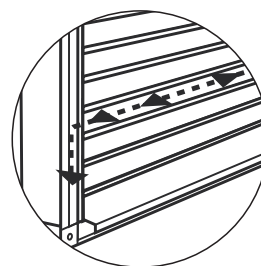
**MAINTENANCE**

Inspection of the product should be done at least once a year.

**EXAMPLE, DESCRIPTIVE TEXT**

VVS AMA  
QMB.1/QMF.1

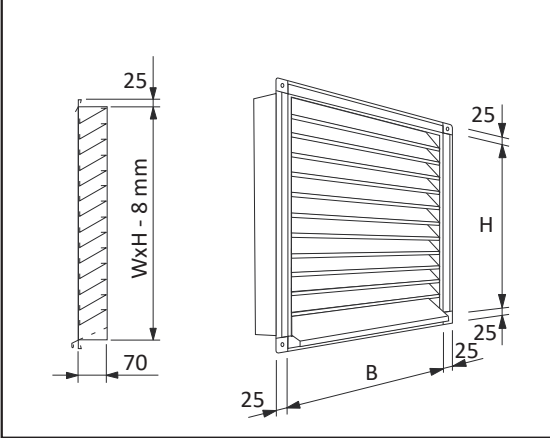
Louvre ABC-YGIG by ABC Ventilationsproducts AB. Size 800X800. Manufactured in patented color-coated steel.



The louvre blades are designed with a drip channel at the front edge to divert water to the sides to minimize rainwater in the airflow.

**DIMENSIONS - OUTDOOR AIR**

Air speed through free louvres area at 2,5 m/s.  
 We recommend that the air speed through free louvres area is max 2,5 m/s.  
 The total pressure drop in Pa at the specified air speed is 16 Pa  
 Sound power level in dB (A) at specified air speed is 39 dB



Outdoor air flow (l/s) at specified air speed through free louvres area:

H \ W	200	300	400	500	600	700	800	900	1000	1100	1200	1300	1400	1500	1600	1700	1800	1900	2000
200	49	81	114	146	179	211	244	276	309	333	366	398	431	463	496	528	561	593	626
300	79	131	184	236	289	341	394	446	499	538	591	643	696	748	801	853	906	958	1011
400	109	181	254	326	399	471	544	616	689	743	816	888	961	1033	1106	1178	1251	1323	1396
500	139	231	324	425	509	601	694	786	879	948	1041	1133	1226	1318	1411	1503	1596	1688	1781
600	169	281	394	506	619	731	844	956	1069	1153	1266	1378	1491	1603	1716	1828	1941	2053	2166
700	199	331	464	596	729	861	994	1126	1259	1358	1491	1623	1756	1888	2021	2153	2286	2418	2551
800	229	381	534	686	839	991	1144	1296	1449	1563	1716	1868	2021	2173	2326	2478	2631	2783	2936
900	259	431	604	776	949	1121	1294	1466	1639	1768	1941	2113	2286	2458	2631	2803	2976	3148	3321
1000	289	481	674	866	1059	1251	1444	1636	1829	1973	2166	2358	2551	2743	2936	3128	3321	3513	3706
1100	319	531	744	956	1169	1381	1594	1806	2019	2178	2391	2603	2816	3028	3241	3453	3666	3878	4091
1200	349	581	814	1046	1279	1511	1744	1976	2209	2383	2616	2848	3081	3313	3546	3778	4011	4243	4476
1300	379	631	884	1136	1389	1641	1894	2146	2399	2588	2841	3093	3346	3598	3851	4103	4356	4608	4861
1400	409	681	954	1226	1499	1771	2044	2316	2589	2793	3066	3338	3611	3883	4156	4428	4701	4973	5246
1500	439	731	1024	1316	1609	1901	2194	2486	2779	2998	3291	3583	3876	4168	4461	4753	5046	5338	5631
1600	469	781	1094	1406	1719	2031	2344	2656	2969	3203	3516	3828	4141	4453	4766	5078	5391	5703	6016
1700	499	831	1164	1496	1829	2161	2494	2826	3159	3408	3741	4073	4406	4738	5071	5403	5736	6068	6401
1800	529	881	1234	1586	1939	2291	2644	2996	3349	3613	3966	4318	4671	5023	5376	5728	6081	6433	6786
1900	559	931	1304	1676	2049	2421	2794	3166	3539	3818	4191	4563	4936	5308	5681	6053	6426	6798	7171
2000	589	981	1374	1766	2159	2551	2944	3336	3729	4023	4416	4808	5201	5593	5986	6378	6771	7163	7556

**DIMENSIONS - EXHAUST AIR**

Air speed through free louvres area 3 m/s.  
 The total pressure drop in Pa at the specified air speed is 22 Pa  
 Sound power level in dB(A) at specified air speed is 40 dB

**For further dimensioning, visit our product selection program Electio**  
<https://abcvent.magicad.cloud/>

Exhaust air flow (l/s) at specified air speed through free louvres area:

H \ W	200	300	400	500	600	700	800	900	1000	1100	1200	1300	1400	1500	1600	1700	1800	1900	2000
200	59	98	137	176	215	254	293	332	371	400	439	478	517	556	595	634	673	712	751
300	95	158	221	284	347	410	473	536	599	646	709	772	835	898	961	1024	1087	1150	1213
400	131	218	305	392	479	566	653	740	827	892	979	1066	1153	1240	1327	1414	1501	1588	1675
500	167	278	389	510	611	722	833	944	1055	1138	1249	1360	1471	1582	1693	1804	1915	2026	2137
600	203	338	473	608	743	878	1013	1148	1283	1384	1519	1654	1789	1924	2059	2194	2329	2464	2599
700	239	398	557	716	875	1034	1193	1352	1511	1630	1789	1948	2107	2266	2425	2584	2743	2902	3061
800	275	458	641	824	1007	1190	1373	1556	1739	1876	2059	2242	2425	2608	2791	2974	3157	3340	3523
900	311	518	725	932	1139	1346	1553	1760	1967	2122	2329	2536	2743	2950	3157	3364	3571	3778	3985
1000	347	578	809	1040	1271	1502	1733	1964	2195	2368	2599	2830	3061	3292	3523	3754	3985	4216	4447
1100	383	638	893	1148	1403	1658	1913	2168	2423	2614	2869	3124	3379	3634	3889	4144	4399	4654	4909
1200	419	698	977	1256	1535	1814	2093	2372	2651	2860	3139	3418	3697	3976	4255	4534	4813	5092	5371
1300	455	758	1061	1364	1667	1970	2273	2576	2879	3106	3409	3712	4015	4318	4621	4924	5227	5530	5833
1400	491	818	1145	1472	1799	2126	2453	2780	3107	3352	3679	4006	4333	4660	4987	5314	5641	5968	6295
1500	527	878	1229	1580	1931	2282	2633	2984	3335	3598	3949	4300	4651	5002	5353	5704	6055	6406	6757
1600	563	938	1313	1688	2063	2438	2813	3188	3563	3844	4219	4594	4969	5344	5719	6094	6469	6844	7219
1700	599	998	1397	1796	2195	2594	2993	3392	3791	4090	4489	4888	5287	5686	6085	6484	6883	7282	7681
1800	635	1058	1481	1904	2327	2750	3173	3596	4019	4336	4759	5182	5605	6028	6451	6874	7297	7720	8143
1900	671	1118	1565	2012	2459	2906	3353	3800	4247	4582	5029	5476	5923	6370	6817	7264	7711	8158	8605
2000	707	1178	1649	2120	2591	3062	3533	4004	4475	4828	5299	5770	6241	6712	7183	7654	8125	8596	9067



Tested for water separation according to EN 13030 by VTT, Finland

Sound and pressure measurements performed by RISE

FREE LOUVRE AREA

H \ W	200	300	400	500	600	700	800	900	1000	1100	1200	1300	1400	1500	1600	1700	1800	1900	2000
200	49%	54%	57%	59%	60%	60%	61%	61%	62%	61%	61%	61%	62%	62%	62%	62%	62%	62%	63%
300	53%	58%	61%	63%	64%	65%	66%	66%	67%	65%	66%	66%	66%	67%	67%	67%	67%	67%	67%
400	54%	60%	63%	65%	66%	67%	68%	68%	69%	68%	68%	68%	69%	69%	69%	69%	69%	70%	70%
500	56%	62%	65%	67%	68%	69%	69%	70%	70%	69%	69%	70%	70%	70%	71%	71%	71%	71%	71%
600	56%	63%	66%	68%	69%	70%	70%	71%	71%	70%	70%	71%	71%	71%	71%	72%	72%	72%	72%
700	57%	63%	66%	68%	69%	70%	71%	72%	72%	71%	71%	71%	72%	72%	72%	72%	73%	73%	73%
800	57%	64%	67%	69%	70%	71%	71%	72%	72%	71%	71%	72%	72%	72%	73%	73%	73%	73%	73%
900	58%	64%	67%	69%	70%	71%	72%	72%	73%	71%	72%	72%	73%	73%	73%	73%	73%	74%	74%
1000	58%	64%	67%	69%	71%	72%	72%	73%	73%	72%	72%	73%	73%	73%	73%	74%	74%	74%	74%
1100	58%	64%	68%	70%	71%	72%	72%	73%	73%	72%	72%	73%	73%	73%	74%	74%	74%	74%	74%
1200	58%	65%	68%	70%	71%	72%	73%	73%	74%	72%	73%	73%	73%	74%	74%	74%	74%	74%	75%
1300	58%	65%	68%	70%	71%	72%	73%	73%	74%	72%	73%	73%	74%	74%	74%	74%	74%	75%	75%
1400	58%	65%	68%	70%	71%	72%	73%	74%	74%	73%	73%	73%	74%	74%	74%	74%	75%	75%	75%
1500	59%	65%	68%	70%	72%	72%	73%	74%	74%	73%	73%	74%	74%	74%	74%	75%	75%	75%	75%
1600	59%	65%	68%	70%	72%	73%	73%	74%	74%	73%	73%	74%	74%	74%	74%	75%	75%	75%	75%
1700	59%	65%	68%	70%	72%	73%	73%	74%	74%	73%	73%	74%	74%	74%	75%	75%	75%	75%	75%
1800	59%	65%	69%	71%	72%	73%	73%	74%	74%	73%	73%	74%	74%	74%	75%	75%	75%	75%	75%
1900	59%	65%	69%	71%	72%	73%	74%	74%	75%	73%	74%	74%	74%	75%	75%	75%	75%	75%	75%
2000	59%	65%	69%	71%	72%	73%	74%	74%	75%	73%	74%	74%	74%	75%	75%	75%	75%	75%	76%

# Installation:

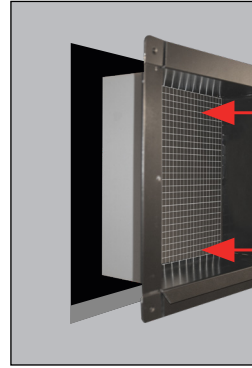
ABC -YGIG



Mounting frame



Louvre insert



The mounting frame is secured in the sides with screws

## STEP 1:

The dimensions are always stated with the width (B) before the height (H), ex: YG 500x300, 500 width, 300 height. The louvre consists of a mounting frame with removable louvre insert. Start by loosening the mounting screws that secure the louvre insert to the mounting frame. Lift out the insert so that the frame is empty. In larger sizes, one or more U-profiles are in the frame - leave these in place - the frame will then be more stable and easier to mount.

## STEP 2:

Make an opening in the wall according to the size of the louvre. Then mount the frame and attach it with the required fastening material and sealing compound depending on the type of facade material.



Attach the insert with the supplied screws.

## STEP 3:

After the mounting frame is fixed to the wall, attach the louvre insert with the supplied screws.