



## ABC-CDV

AIR INTAKE-/EXHAUST AIR



### USE

Combined air intake-/exhaust air wall hood.

### DESIGN

The exhaust air is evacuated horizontally by a circular wire-mesh on the front of the hood. The fresh air is taken in by a wiremesh on the underside. The construction minimizes short circuit between exhaust air/fresh air at the same time as the risk for water entrainment in the air intake is effectively prevented.

### MAINTENANCE

Inspection of the product should be done least once a year. Suction of powder snow and aerosols cannot be discounted in unfavourable conditions.

### EXAMPLE DESCRIPTIVE TEXT

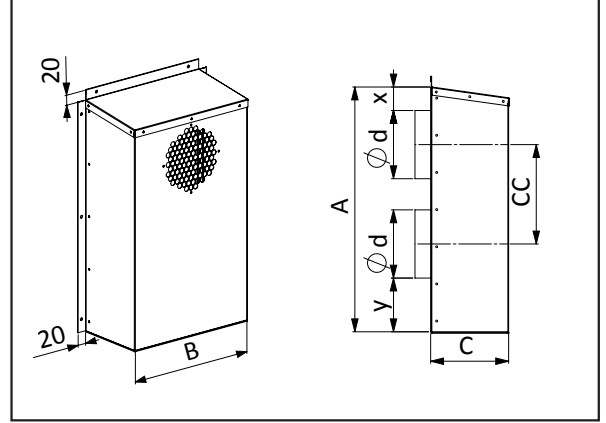
VVS AMA

QMB.2/QMF.2

Air intake-/exhaust air wall device ABC-CDV by ABC Ventilationsprodukter AB fabrikat. Size 200. Manufactured in ABC Garantiplåt corrosivity class C4.

## SIZE

Size connection circular	A mm	B mm	C mm	CC mm	x mm	y mm
125	455	270	144	185	45	100
160	528	350	167	220	48	100
200	613	440	200	260	53	100
250	716	605	225	310	56	100
315	894	730	280	415	65	100
400	1072	900	340	500	72	100
500	1285	1100	430	600	85	100

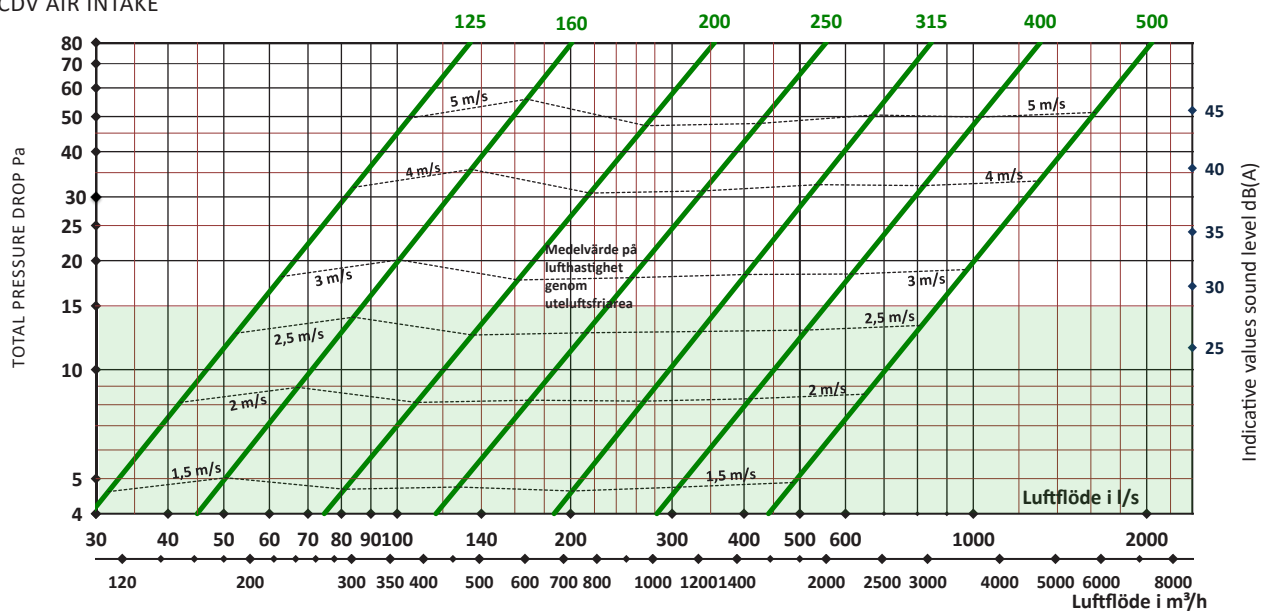


ABC-CDV can also be adjusted according to requirements. When ordering, specify measurements according to the sketch above.

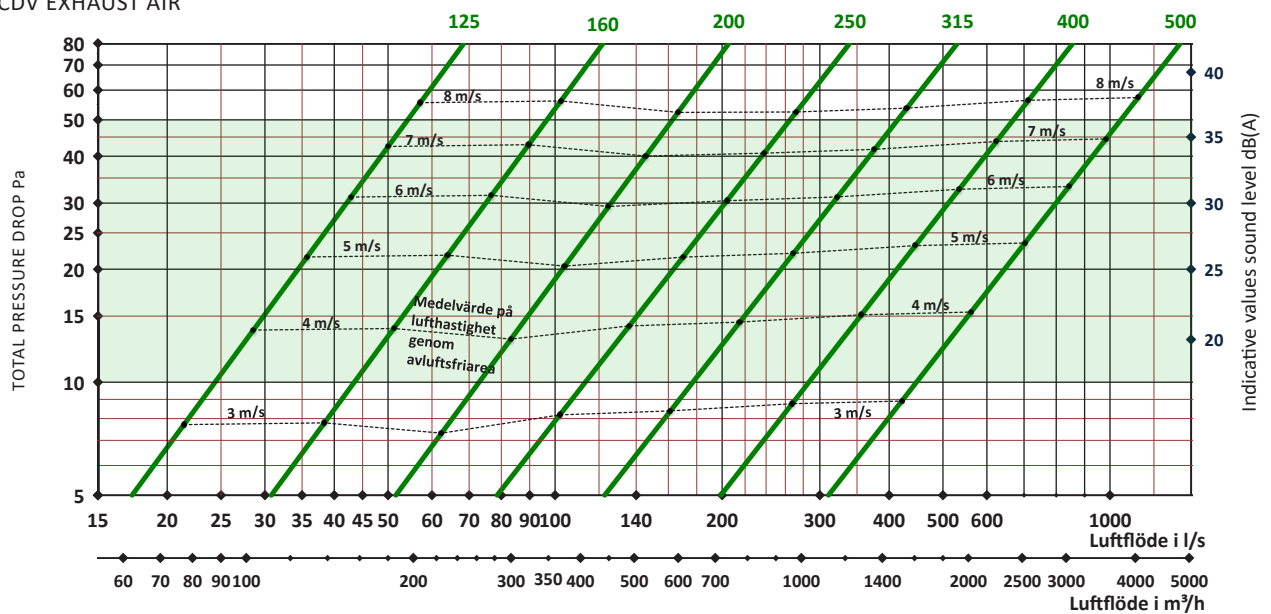
## DIMENSIONS

The data given are guidelines.

### CDV AIR INTAKE



### CDV EXHAUST AIR



The green marked area are a good energy choice

# Installation instructions

1. The outer wall hood consists of a wall hood with connections.

2. Make the necessary openings in the wall and pull out the ventilation ducts for exhaust air and fresh air so that the ducts finish edge to edge with the wall surface. The ducts are isolated all the way to the wall surface. Seal the openings in the wall.

3. The wall hood has spiro connections. Connect the wall hood to the outside air and exhaust duct. Attach the wall hood to the facade in an appropriate way and seal with sealant.

Inspection of the product should be done at least once a year.

