



## ABC-VK

AIR INTAKE/EXHAUST AIR



### USE

Weather protection for outside air intake on facades with low pressure drop and very good separation ability of rain and snow.

### DESIGN

The grill insert is punched with 10 mm holes in the standard version and designed for maximum free area in relation to nominal opening area.

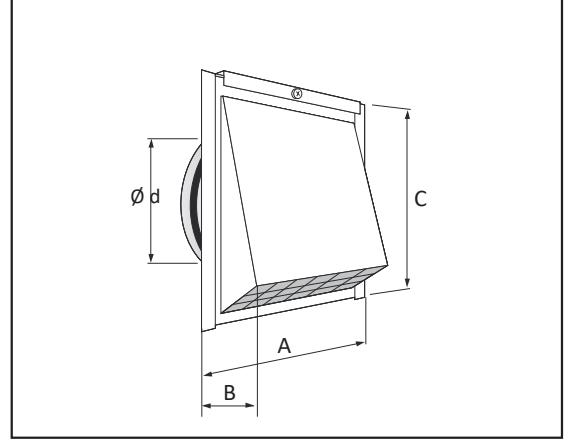
### EXAMPLE, DESCRIPTIVE TEXT

VVS AMA  
QMB.2

ABC-VK by ABC Ventilationsprodukter AB.  
Size circular connection 250 mm.  
Punched grill insert with 10 mm hole.  
Manufactured in ABC Garantiplåt  
corrosivity class C4 with 25 year warranty  
on the paint coating.

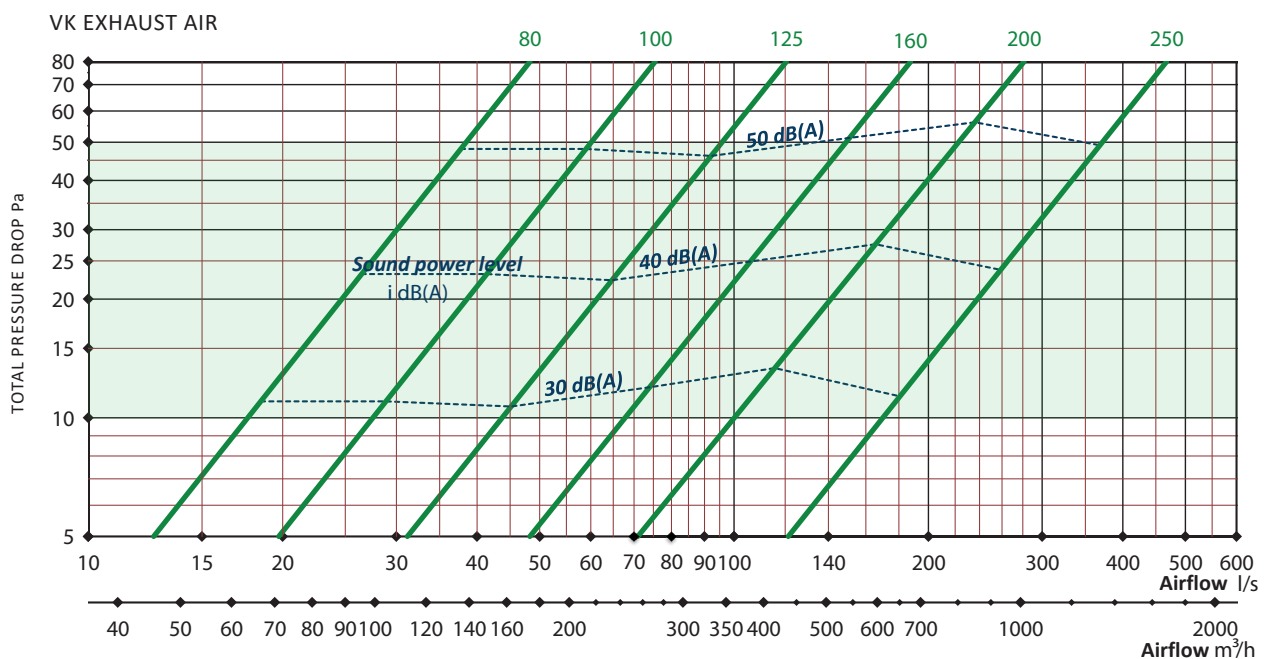
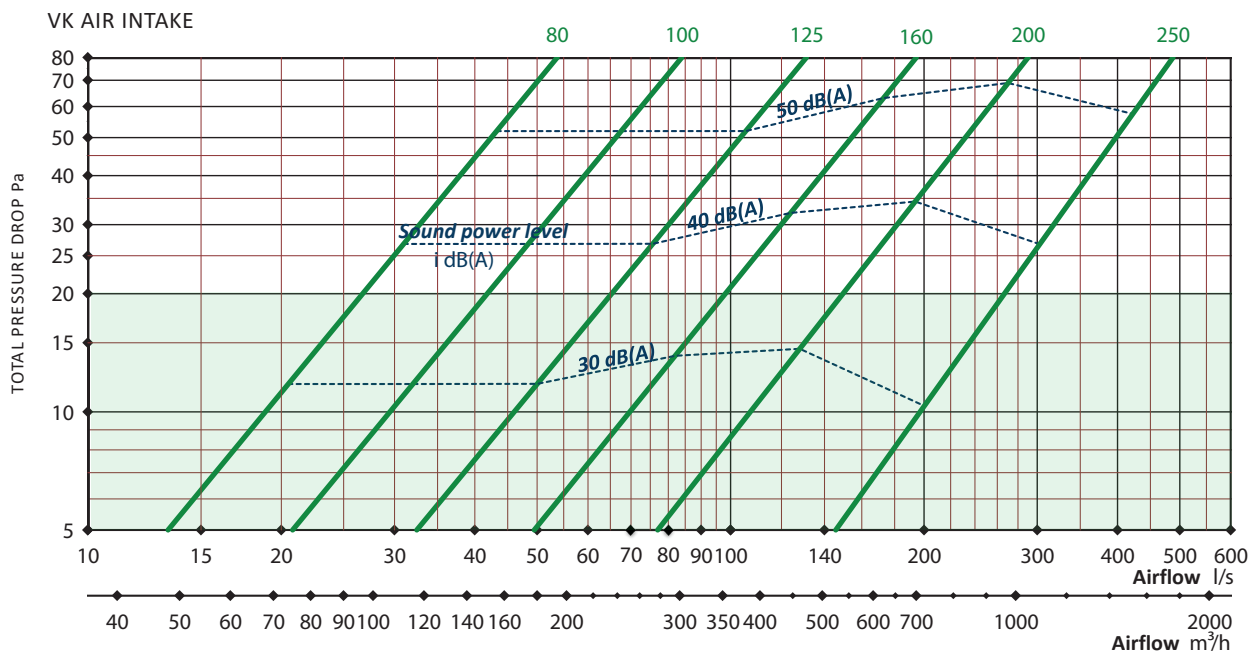
## MEASUREMENTS/SIZE


Size Connection Circular Ø ABC-VK	A mm	B mm	C mm
80	175	75	170
100	220	90	195
125	270	110	245
160	300	135	300
200	400	153	345
250	500	215	445



## DIMENSIONS

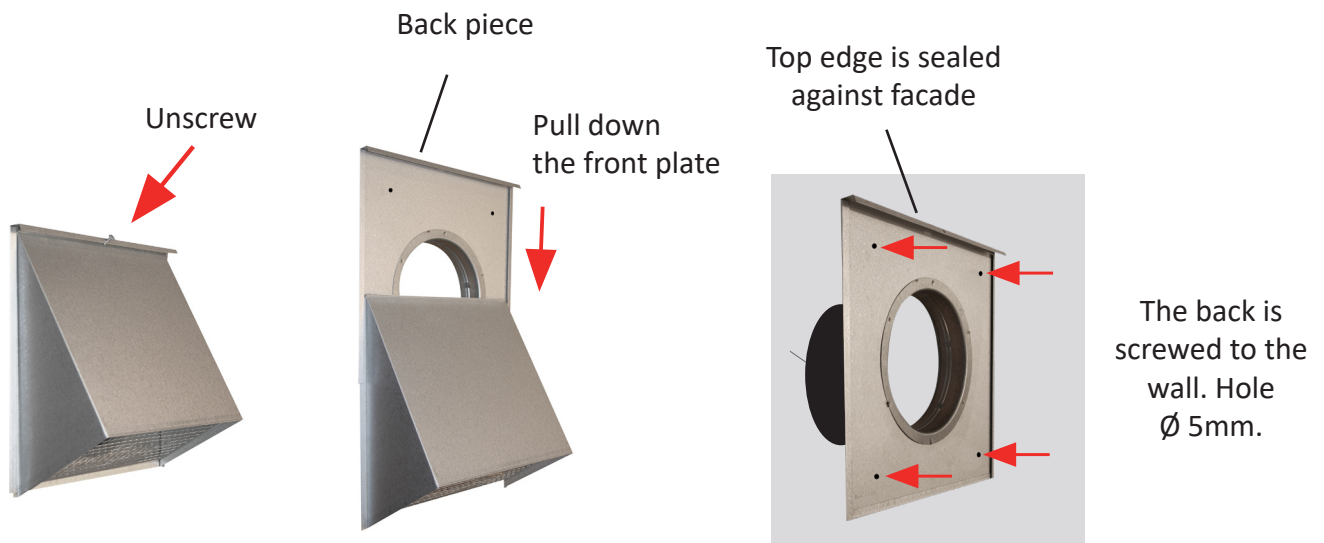
The data given are guidelines



 The green marked area are a good energy choice

# Installation

ABC -VK



## STEP 1:

Loose the mounting screw as shown and pull down the front plate. Make a hole in the wall and pull out the spiro duct so that the duct ends edge to edge with the facade. Through hole in the wall are sealed carefully.

## STEP 3:

Seal with sealant.  
Put back the front plate and screw.

## STEP 2:

ABC-VK is equipped with a spiro connection. Connect the back cover to outside air or exhaust duct. Fasten towards the facade with fastening material depending on the type of facade material.

# Environmental product declaration

For exact content of the product, see the current Building product declaration on [www.abcvent.se](http://www.abcvent.se)