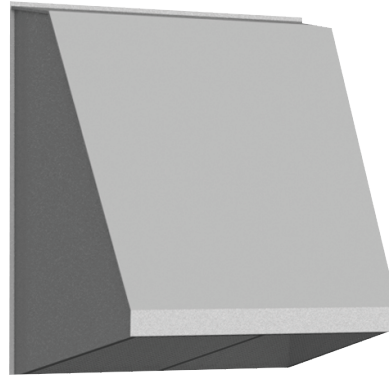




# ABC-VKA

## AIR INTAKE WALL HOOD



### USE

ABC-VKA is a wallhood for outside air intake on facades with low pressure drop and very good separation ability of rain and snow.

### WATER SEPARATION

ABC-VKA is tested according to the standard EN 13030:2001. At air velocity in the duct up to 3 m/s is obtained water separation class A.

### DESIGN

The wallhood has a removable wire mesh insert. In the standard design, the mesh insert is punched with 20 mm holes and is designed for maximum free area in relation to nominal opening area and can be equipped with electric defrosting. The wallhood can be equipped with a non-return damper or an outside air damper for manual or motorized shut-off.

### ACCESSORIES

- Punched net insert 30 mm
- Grill ABC-IBZ
- Non return damper – air intake
- Outdoor air damper – Manual control alt. shutdown with spring return motor
- Electric defrosting

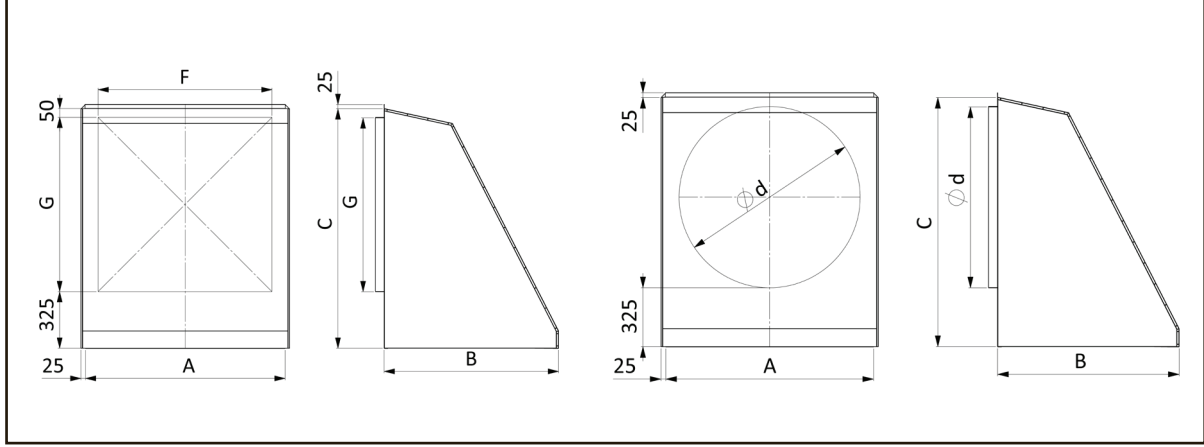
### MAINTENANCE

Inspection of the product should be done least once a year. Suction of powder snow and aerosols cannot be discounted in unfavourable conditions.

### EXAMPLE DESCRIPTIVE TEXT

VVS AMA  
QMB.2

ABC-VKA by ABC Ventilationsprodukter  
AB. Size circular connection 500 mm.  
Punched net insert 20 mm holes.  
Manufactured in ABC Garantiplåt in corrosivity class C4.

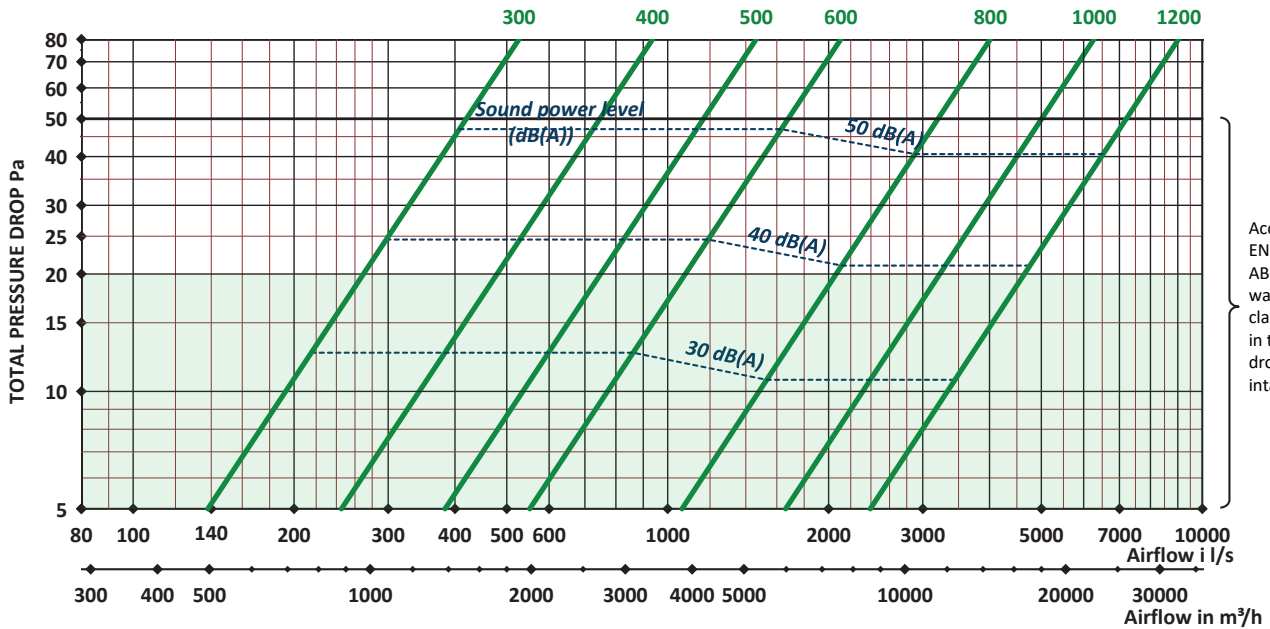


## SIZE


Size Connection circular $\varnothing$ mm	Size Connection rectangular F mm	A mm	B mm	C mm
315	300x300	450	300	675
400	400x400	550	400	775
500	500x500	650	500	875
630	600x600	750	600	975
800	800x800	950	800	1175
1000	1000x1000	1150	1000	1375
1250	1200x1200	1400	1200	1575

## DIMENSIONS

### VKA AIR INTAKE



According to EN 13030:2001 ABC-VKA maintains water separation class A above 50 Pa in total pressure drop (tested with intake air)

 The green marked area are a good energy choice

In case of serious snow problems, we recommend that you contact us and we will help you find the best solution.



Testad by VTT Finland

ABC Ventilationsprodukter AB Tel: 033-29 08 80 [www.abcvent.se](http://www.abcvent.se)

We retain the right to make changes without prior warning. Reproduction or copying of this data sheet is prohibited.



# Installation

*Applies to: ABC-VKA circular connection*

## **STEP 1:**

Make a hole in the wall and pull out the spiro duct so that the duct ends edge to edge with the façade. Pass-through holes in the wall are carefully sealed.

## **STEP 3:**

Seal with sealant so water can't penetrate. Screw back the front plate.

## **STEP 2:**

ABC-VKA is equipped with a spiro connection. Connect the back cover to the duct. Fast towards the facade with fastening material depending on the type of facade material.

*Applies to: ABC-VKA rectangular connection*

## **STEP 1:**

The dimensions are always given with the width (B) before the height (H), eg: 500x300, 500 width, 300 height. Make a hole in the wall according to the dimension of the flange edge.

## **STEP 2:**

Mount the wallhood in the hole and fasten it with required fastening material and sealant depending on the type of facade material.

*Use upper flashing to prevent water from entering behind the cover. Seal against the facade.*

- Suction of powder snow and aerosols cannot be discounted in unfavourable conditions.

## Environmental product declaration

For exact content of the product, see the current Building product declaration on [www.abcvent.se](http://www.abcvent.se)