

ABC-JET

EXHAUST AIR

Tip!
Before the system is in operation, the roof hood should be covered to avoid condensation problems.



USE
Circular exhaust air roof hood.

EXAMPLE, DESCRIPTIVE TEXT
VVS AMA
QMF.2

DESIGN
Manufactured in zincmagnesium for corrosivity class C5. Socket connection that complies with the spiral duct standard. The inner cone is fixed with no moving parts which ensures rain protection when the fan is switched off. Available with flange connection. Lifting points are standard from size 400.

Exhaust air roof hood ABC-JET by ABC Ventilationsprodukter AB. Size 800. Manufactured in zincmagnesium i corrosivity class C5.

MAINTENANCE
Inspection of the product should be done at least once a year.

ACCESSORIES



Roof duct ABC-TG in EI 30 or EI 60 design. Standard length is 800 mm.



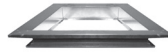
Roof duct sound-absorbing ABC-TGLD in EI 30 or EI 60 design. Standard length is 800 mm



ABC-BS



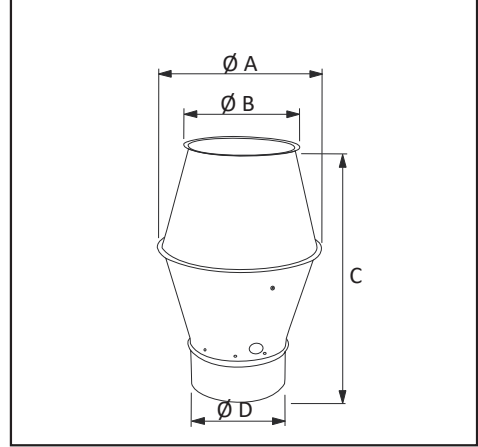
ABC-ÖG



ABC-BANS



ABC-BP



MEASUREMENTS/SIZE

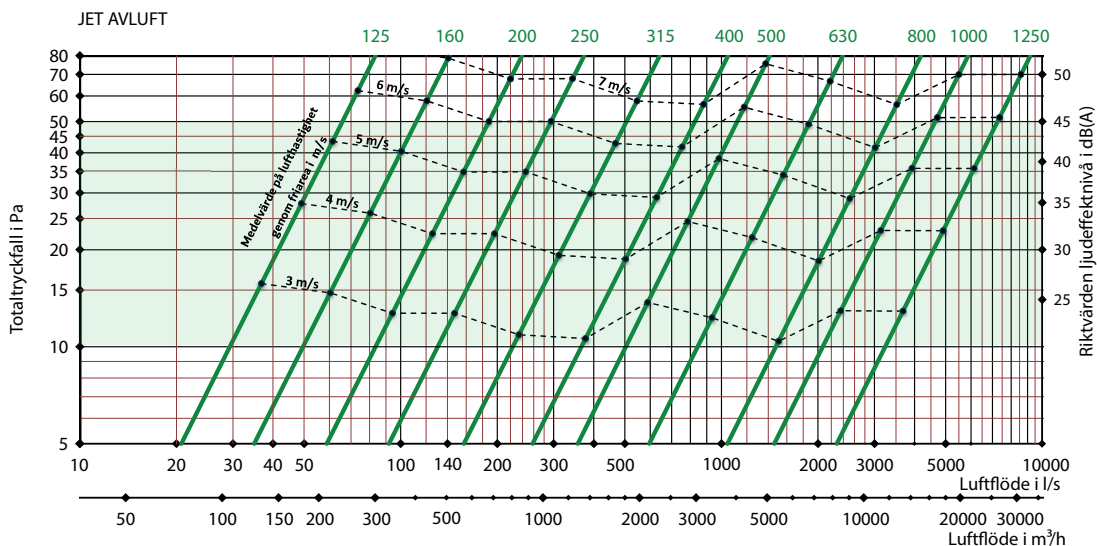
Size ABC-JET	Weight kg	A mm	B mm	C mm	ØD mm socket connection	ABC-TG EI30 ¹	ABC-TG EI60 ²	Size ABC-ÖG DxEx Ød (Dim. refers to TG-EI30)	Size ABC-BP GxH (Dim. refers to TG-EI30)
125	1	220	125	350	125	300	400	300x300 ≤ 200	400x400
160	2	270	160	400	160	300	400	300x300 ≤ 200	400x400
200	3	330	200	530	200	300	400	300x300 ≤ 200	400x400
250	4	420	250	590	250	400	500	400x400 ≤ 250	500x500
315	6	520	315	740	315	400	500	400x400 ≤ 250	500x500
400	15	650	400	940	400	500	600	500x500 ≤ 400	600x600
500	21	820	500	1110	500	600	700	600x600 ≤ 500	700x700
630	38	1020	630	1380	630	700	800	700x700 ≤ 500	800x800
800	57	1280	800	1600	800	900	1000	900x900 ≤ 800	1000x1000
1000	75	1550	1000	1800	1000	1100	1200	1100x1100 ≤ 1000	1200x1200
1250	92	1950	1250	1800	1250	1300	1400	1300x1300 ≤ 1000	1400x1400

¹ Insulation corresponding to fire resistance class EI30.

² Insulation corresponding to fire resistance class EI60.

DIMENSIONS

Specified data are guide values



Distance correction of sound level dB(A)	
Distance m	Correction dB(A)
5	-22
10	-28
15	-32
20	-34
30	-38
40	-40
50	-42
60	-44

The green marked area are a good energy choice



Sound and pressure measurements performed by RISE

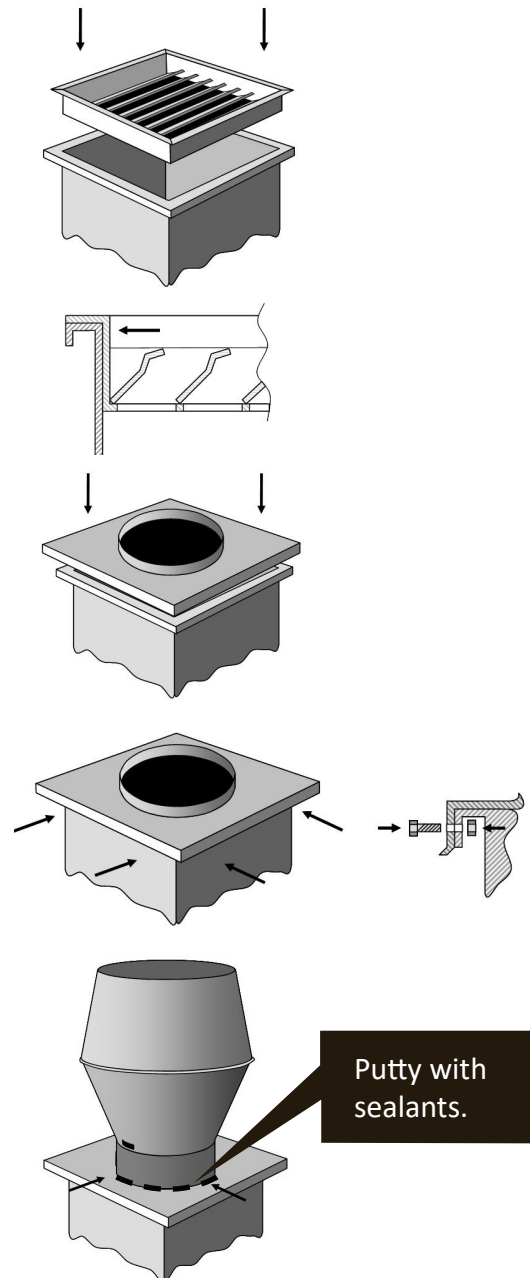


ABC Ventilationsprodukter AB Tel: 033-29 08 80 www.abcvent.se

We retain the right to make changes without prior warning. Reproduction or copying of this data sheet is prohibited.

Installation instructions:

1. ABCs roof hoods are meant to be installed on some sort of roof duct, for example ABC-TG, TGC, TGLD or on already existing roof duct. As an extra safety, ABC-BS can be installed as a return damper between the roof hood and roof duct. The return damper is placed in the opening of the roof duct and is attached with metal screw above the stop ledge against the roof duct.
2. Circular roof hoods require a bottom plate, ABC-BP, this is installed on the roof duct.
3. When the bottom plate is installed so that it covers the frame of the roof duct, the bottom plate is attached with bolt and nut. Fix the bottom plate against the roof duct and drill right trough both the bottom plate and the roof duct.
4. Place the roof hood on the bottom plate and attach it in a suitable way, for example with metal screw. Putty with sealants for outdoor use around the roof hood according to the picture. Roof hoods with bigger sizes is recommended to be attached to the roof with metal wire.



Environmental product declaration

For exact content of the product, see the current Building product declaration on www.abcvent.se