

ABC-YG
EXHAUST-/OUTDOOR AIR LOUVRE



USE

ABC-YG is a ventilation louvre for exhaust- /outdoor air.

WATER SEPARATION

ABC-YG is tested according to standard EN 13030:2001. Water separation class C is obtained at speeds 2 m/s over free area.

DESIGN

Mounting frame with removable louvre insert and a wire mesh. Manufactured in patented color-coated steel and also available in other materials.

WEIGHT

Weight per m² ca 14kg

SIZE

Size 200x200 - 2000x2000 mm.
BxH can be combined optionally.

ACCESSORIES

- Mounting plates
- Insect-proof wire mesh
- Hinge
- Electrical defrosting

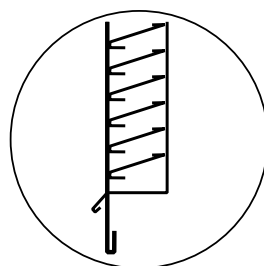
MAINTENANCE

Inspection of the product should be done at least once a year.

EXAMPLE, DESCRIPTIVE TEXT

VVS AMA
QMB.1/QMF.1

Louvre ABC-YG by ABC Ventilationsproducts AB. Size 800X800. Manufactured in patented color-coated steel.



Standard louvre blades

The sound power level is reduced by the distance from the louvre, according to the following table:

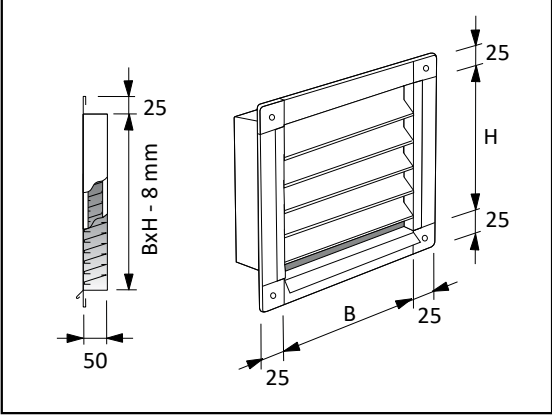
Distance in meters	1	2	4	6	8	10
Reduction of the sound power level in dB	3	9	15	18	21	24

NOTE: Sound attenuation is calculated using a theoretical formula for attenuation of sounds generated from a flat surface (outdoors).

DIMENSIONS - OUTDOOR AIR

Air speed through free louvres area at 2 m/s.
 We recommend that the air speed through free louvres area is max 2 m/s.
 The total pressure drop in Pa at the specified air speed is 11 Pa
 Sound power level in dB (A) at specified air speed is 33 dB

For further dimensioning, visit our product selection program Electio
<https://abcvent.magicad.cloud/>



Outdoor air flow (l/s) at specified air speed through free louvres area:

H \ B	200	300	400	500	600	700	800	900	1000	1100	1200	1300	1400	1500	1600	1700	1800	1900	2000
200	30	54	75	95	116	136	127	146	164	182	201	219	238	256	261	280	298	316	335
300	62	98	134	170	206	243	243	277	311	346	380	414	448	482	497	531	565	599	634
400	89	141	193	245	297	349	359	409	459	509	559	609	659	709	732	782	832	882	932
500	117	185	252	320	388	456	475	540	606	672	738	804	869	935	968	1034	1100	1165	1231
600	144	228	312	395	479	562	590	672	754	835	917	998	1080	1162	1204	1285	1367	1448	1530
700	172	271	371	470	570	669	706	804	901	998	1096	1193	1291	1388	1439	1537	1634	1731	1829
800	200	315	430	545	660	776	822	935	1048	1162	1275	1388	1501	1614	1675	1788	1901	2014	2128
900	227	358	489	620	751	882	938	1067	1196	1325	1454	1583	1712	1841	1910	2039	2168	2297	2426
1000	255	402	548	695	842	989	1054	1198	1343	1488	1633	1778	1922	2067	2146	2291	2436	2580	2725
1100	282	445	608	770	933	1095	1169	1330	1491	1651	1812	1972	2133	2294	2382	2542	2703	2863	3024
1200	310	488	667	845	1024	1202	1285	1462	1638	1814	1991	2167	2344	2520	2617	2794	2970	3146	3323
1300	338	532	726	920	1114	1309	1401	1593	1785	1978	2170	2362	2554	2746	2853	3045	3237	3429	3622
1400	365	575	785	995	1205	1415	1517	1725	1933	2141	2349	2557	2765	2973	3088	3296	3504	3712	3920
1500	393	619	844	1070	1296	1522	1633	1856	2080	2304	2528	2752	2975	3199	3324	3548	3772	3996	4219
1600	420	662	904	1145	1387	1628	1748	1988	2228	2467	2707	2946	3186	3426	3560	3799	4039	4279	4518
1700	448	705	963	1220	1478	1735	1864	2120	2375	2630	2886	3141	3397	3652	3795	4051	4306	4562	4817
1800	476	749	1022	1295	1568	1842	1980	2251	2522	2794	3065	3336	3607	3878	4031	4302	4573	4845	5116
1900	503	792	1081	1370	1659	1948	2096	2383	2670	2957	3244	3531	3818	4105	4267	4554	4841	5128	5414
2000	531	836	1140	1445	1750	2055	2212	2514	2817	3120	3423	3726	4028	4331	4502	4805	5108	5411	5713

DIMENSIONS - EXHAUST AIR

Air speed through free louvres area 3 m/s.
 The total pressure drop in Pa at the specified air speed is 21 Pa
 Sound power level in dB(A) at specified air speed is 44 dB

Exhaust air flow (l/s) at specified air speed through free louvres area:

H \ B	200	300	400	500	600	700	800	900	1000	1100	1200	1300	1400	1500	1600	1700	1800	1900	2000
200	45	82	112	143	173	204	191	218	246	274	301	329	356	384	392	419	447	475	502
300	92	147	201	255	310	364	365	416	467	518	570	621	672	724	745	797	848	899	950
400	134	212	290	368	446	524	538	613	688	763	838	913	988	1063	1099	1174	1249	1324	1399
500	175	277	379	480	582	684	712	811	909	1008	1107	1205	1304	1403	1452	1551	1650	1748	1847
600	217	342	467	593	718	844	886	1008	1131	1253	1375	1498	1620	1743	1806	1928	2050	2173	2295
700	258	407	556	705	854	1003	1059	1206	1352	1498	1644	1790	1936	2082	2159	2305	2451	2597	2743
800	299	472	645	818	991	1163	1233	1403	1573	1743	1912	2082	2252	2422	2512	2682	2852	3022	3191
900	341	537	734	930	1127	1323	1407	1600	1794	1987	2181	2374	2568	2761	2866	3059	3253	3446	3640
1000	382	602	823	1043	1263	1483	1581	1798	2015	2232	2449	2667	2884	3101	3219	3436	3654	3871	4088
1100	424	667	911	1155	1399	1643	1754	1995	2236	2477	2718	2959	3200	3441	3573	3813	4054	4295	4536
1200	465	733	1000	1268	1535	1803	1928	2193	2457	2722	2986	3251	3516	3780	3926	4191	4455	4720	4984
1300	506	798	1089	1380	1672	1963	2102	2390	2678	2967	3255	3543	3831	4120	4279	4568	4856	5144	5432
1400	548	863	1178	1493	1808	2123	2275	2587	2899	3211	3523	3835	4147	4459	4633	4945	5257	5569	5881
1500	589	928	1267	1605	1944	2283	2449	2785	3120	3456	3792	4128	4463	4799	4986	5322	5658	5993	6329
1600	631	993	1355	1718	2080	2443	2623	2982	3342	3701	4060	4420	4779	5139	5340	5699	6058	6418	6777
1700	672	1058	1444	1830	2216	2602	2796	3180	3563	3946	4329	4712	5095	5478	5693	6076	6459	6842	7225
1800	713	1123	1533	1943	2353	2762	2970	3377	3784	4191	4597	5004	5411	5818	6046	6453	6860	7267	7673
1900	755	1188	1622	2055	2489	2922	3144	3574	4005	4435	4866	5296	5727	6157	6400	6830	7261	7691	8122
2000	796	1253	1711	2168	2625	3082	3318	3772	4226	4680	5134	5589	6043	6497	6753	7207	7662	8116	8570



Tested for water separation according to EN 13030 by VTT, Finland

Sound and pressure measurements performed by RISE

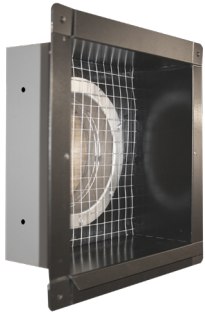


FREE LOUVRE AREA

H \ W	200	300	400	500	600	700	800	900	1000	1100	1200	1300	1400	1500	1600	1700	1800	1900	2000
200	38%	45%	47%	48%	48%	49%	40%	40%	41%	41%	42%	42%	42%	43%	41%	41%	41%	42%	42%
300	51%	54%	56%	57%	57%	58%	51%	51%	52%	52%	53%	53%	53%	54%	52%	52%	52%	53%	53%
400	56%	59%	60%	61%	62%	62%	56%	57%	57%	58%	58%	59%	59%	59%	57%	58%	58%	58%	58%
500	58%	62%	63%	64%	65%	65%	59%	60%	61%	61%	61%	62%	62%	62%	61%	61%	61%	61%	62%
600	60%	63%	65%	66%	66%	67%	62%	62%	63%	63%	64%	64%	64%	65%	63%	63%	63%	64%	64%
700	61%	65%	66%	67%	68%	68%	63%	64%	64%	65%	65%	66%	66%	66%	64%	65%	65%	65%	65%
800	62%	66%	67%	68%	69%	69%	64%	65%	66%	66%	66%	67%	67%	67%	65%	66%	66%	66%	66%
900	63%	66%	68%	69%	70%	70%	65%	66%	66%	67%	67%	68%	68%	68%	66%	67%	67%	67%	67%
1000	64%	67%	69%	70%	70%	71%	66%	67%	67%	68%	68%	68%	69%	69%	67%	67%	68%	68%	68%
1100	64%	67%	69%	70%	71%	71%	66%	67%	68%	68%	69%	69%	69%	70%	68%	68%	68%	69%	69%
1200	65%	68%	69%	70%	71%	72%	67%	68%	68%	69%	69%	69%	70%	70%	68%	68%	69%	69%	69%
1300	65%	68%	70%	71%	71%	72%	67%	68%	69%	69%	70%	70%	70%	70%	69%	69%	69%	69%	70%
1400	65%	68%	70%	71%	72%	72%	68%	68%	69%	70%	70%	70%	71%	71%	69%	69%	70%	70%	70%
1500	65%	69%	70%	71%	72%	72%	68%	69%	69%	70%	70%	71%	71%	71%	69%	70%	70%	70%	70%
1600	66%	69%	71%	72%	72%	73%	68%	69%	70%	70%	70%	71%	71%	71%	70%	70%	70%	70%	71%
1700	66%	69%	71%	72%	72%	73%	69%	69%	70%	70%	71%	71%	71%	72%	70%	70%	70%	71%	71%
1800	66%	69%	71%	72%	73%	73%	69%	69%	70%	71%	71%	71%	72%	72%	70%	70%	71%	71%	71%
1900	66%	69%	71%	72%	73%	73%	69%	70%	70%	71%	71%	71%	72%	72%	70%	70%	71%	71%	71%
2000	66%	70%	71%	72%	73%	73%	69%	70%	70%	71%	71%	72%	72%	72%	70%	71%	71%	71%	71%

Installation:

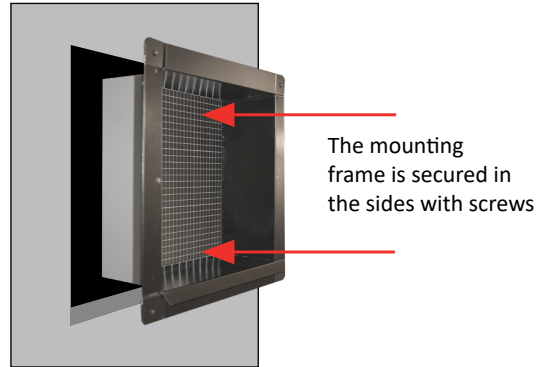
ABC -YG



Mounting frame



Louvre insert

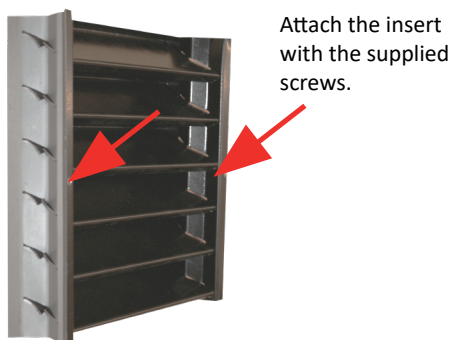


STEP 1:

The dimensions are always stated with the width (B) before the height (H), ex: YG 500x300, 500 width, 300 height. The louvre consists of a mounting frame with removable louvre insert. Start by loosening the mounting screws that secure the louvre insert to the mounting frame. Lift out the insert so that the frame is empty. In larger sizes, one or more U-profiles are in the frame - leave these in place - the frame will then be more stable and easier to mount.

STEP 2:

Make an opening in the wall according to the size of the louvre. Then mount the frame and attach it with the required fastening material and sealing compound depending on the type of facade material.



STEP 3:

After the mounting frame is fixed to the wall, attach the louvre insert with the supplied screws.