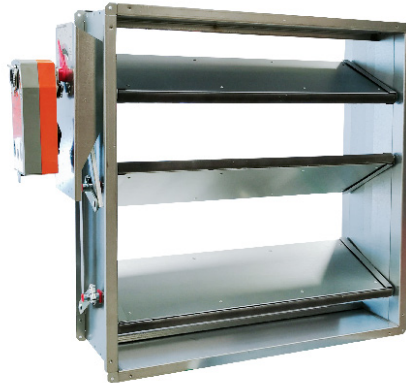


ABC-SFK

LOUVRE DAMPER



USE

Louvre damper for rectangular ducts with low sound emission. ABC-SFK is intended as an adjustment and shut off damper in air treatment plants. Delivered for PG joint duct connection but also available with flanged edges. ABC-SFK can be supplied with factory-mounted actuator.

DESIGN

Manufactured in galvanized sheet steel with corrosion protection class C3 according to BSK 07. Nylon bearings and EPDM seals.

AIR TIGHTNESS CLASS ACCORDING TO VVS-AMA 12
Class 3.

OPERATIONAL PRESSURE

Max 2500 Pa differential pressure across a closed damper. The damper is designed for pressure class B.

OPERATING TEMPERATURE
Max 70 °C.

Width x Height.
From 300x200 to 2000x2000mm in steps of 100mm up to 800x800mm.

Accessories SFK:
Hand control
Link arm kit for coupling damper 1met
Link arm kit for coupling damper 2met
Link arm kit for coupling damper 3met
Counter-flange

EXAMPLE, DESCRIPTIVE TEXT

VVS AMA
QJB.41
Damper ABC-SFK manufactured by ABC Ventilationsprodukter AB. Pressure class B. Air tightness class 3. Manufactured from galvanized sheet steel, corrosion protection class C3 according to BSK 07. Complete with factory-fitted actuator in accordance with the manufacturers recommendation. NM 24. Voltage: 24V. Function: 2-position. Size: 400x400.

RECOMMENDED ACTUATOR ABC-SFK

Surface/Raised Motor
<0,3 m²/ <1000 mm NM, NF, NFA
<2,0 m²/ <2000 mm SM, SF, SFA
<3,0 m²/ <2000 mm 2 st SM alt. 1st GM. 1st EF



SM



NM



SF



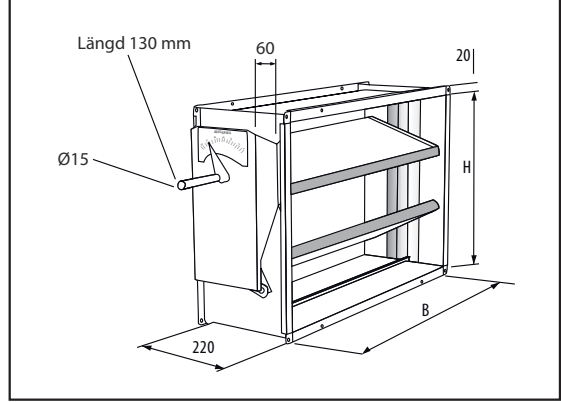
SFA



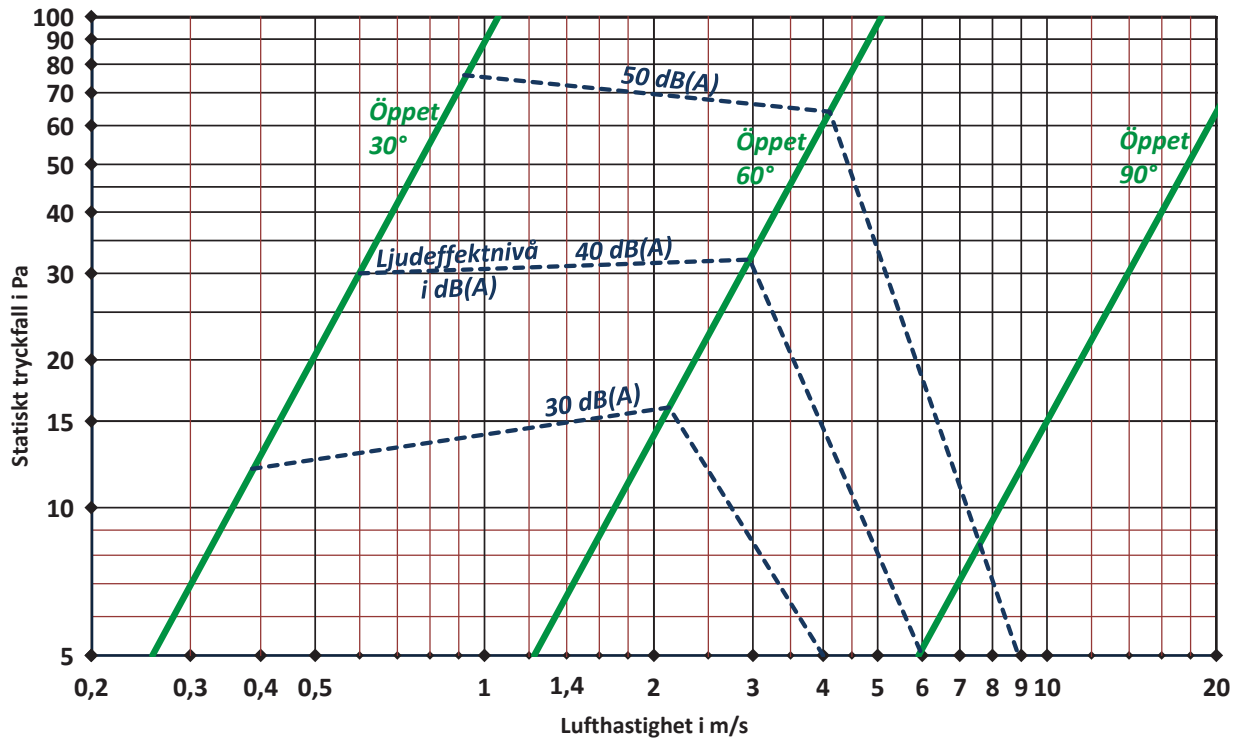
GM



EF



DIMENSIONS



Environmental product declaration

For exact content of the product, see the current Building product declaration on www.abcvent.se



Audio and pressure measurements by Swedish Technical Research Institute.